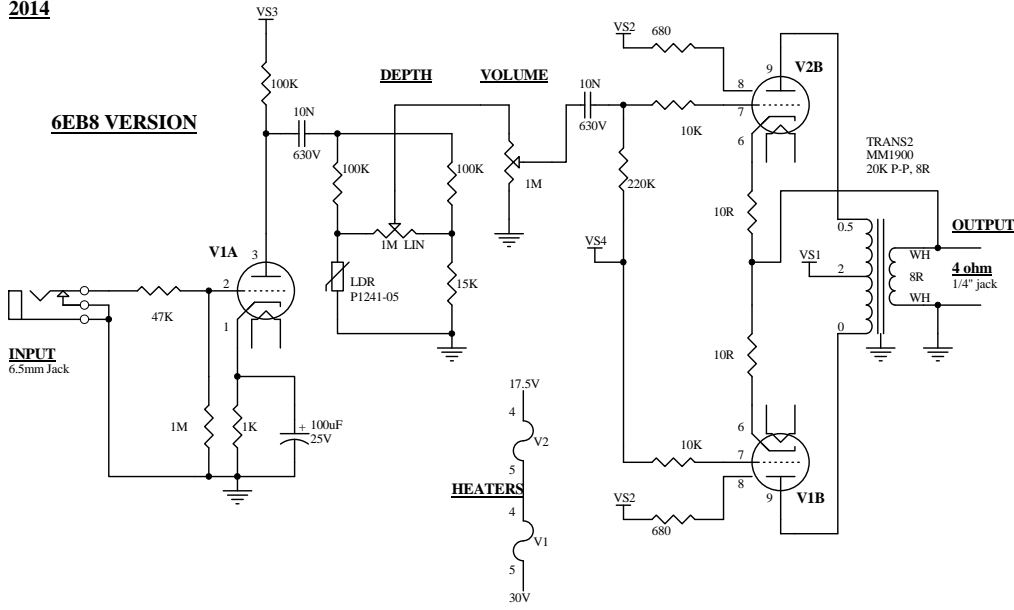


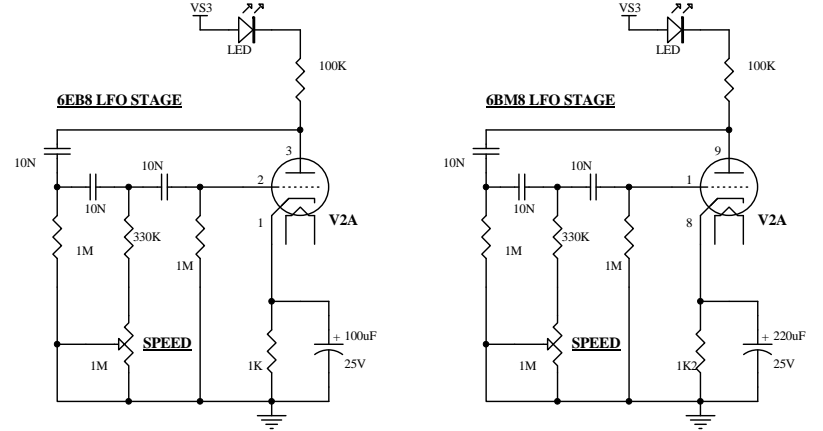
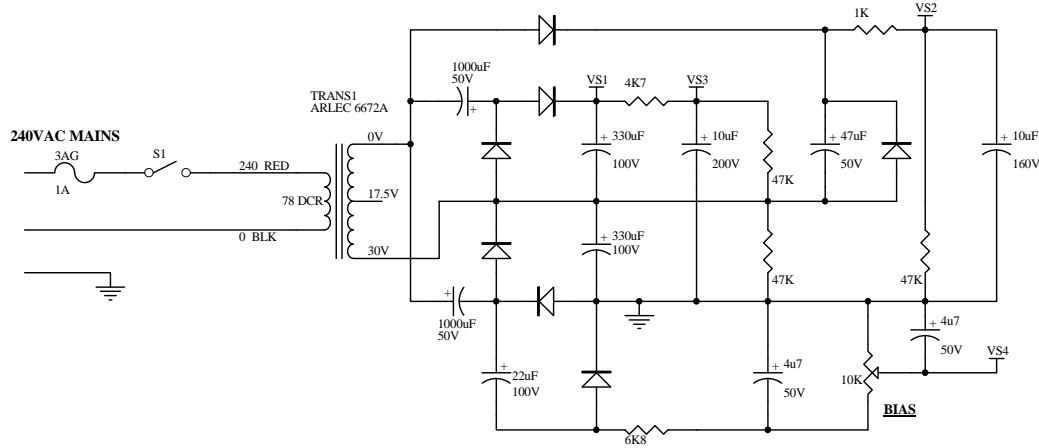
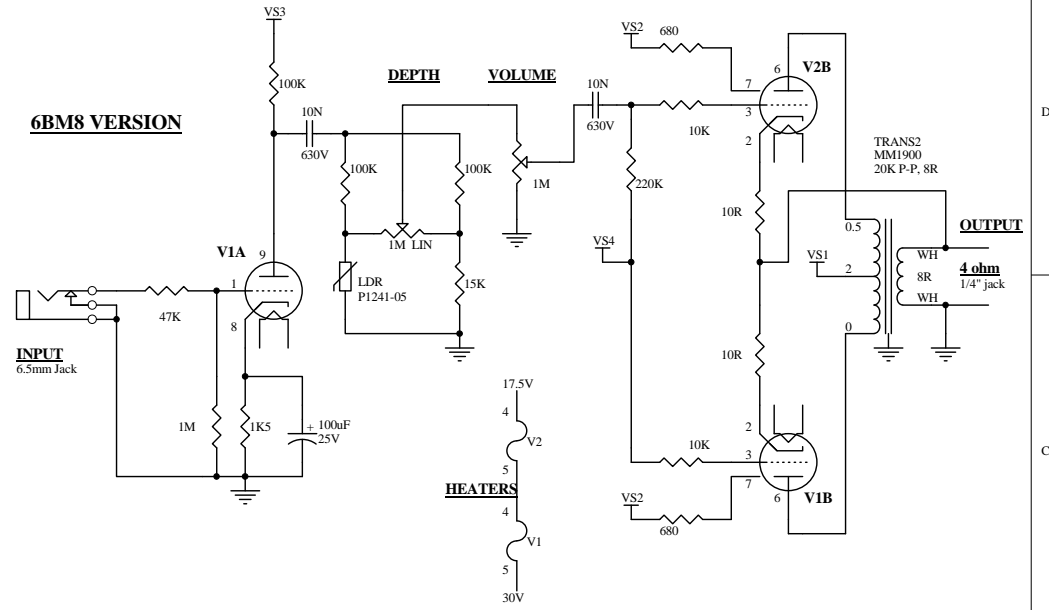
6EB8 PP self-split with LFO

2014

6EB8 VERSION



6BM8 VERSION



VOLTAGE RAILS		VALVE	QTY	VALVE	QTY
RAIL	IDLE	6EB8	2	6BM8	2
VS1	175V	VS4	-3.0V	VS4	-6.0V
VS2	130V	BIAS	22+22mA	BIAS	33+33mA
VS3	170V				

6EB8 base

Title		
Prototype self-split with LFO		
Size	Number	Revision
B		
Date:	1-Mar-2014	Sheet of
File:	C:\Program Files\Design Explorer 99 SE\Projects\Amplifier Modules.ddb	